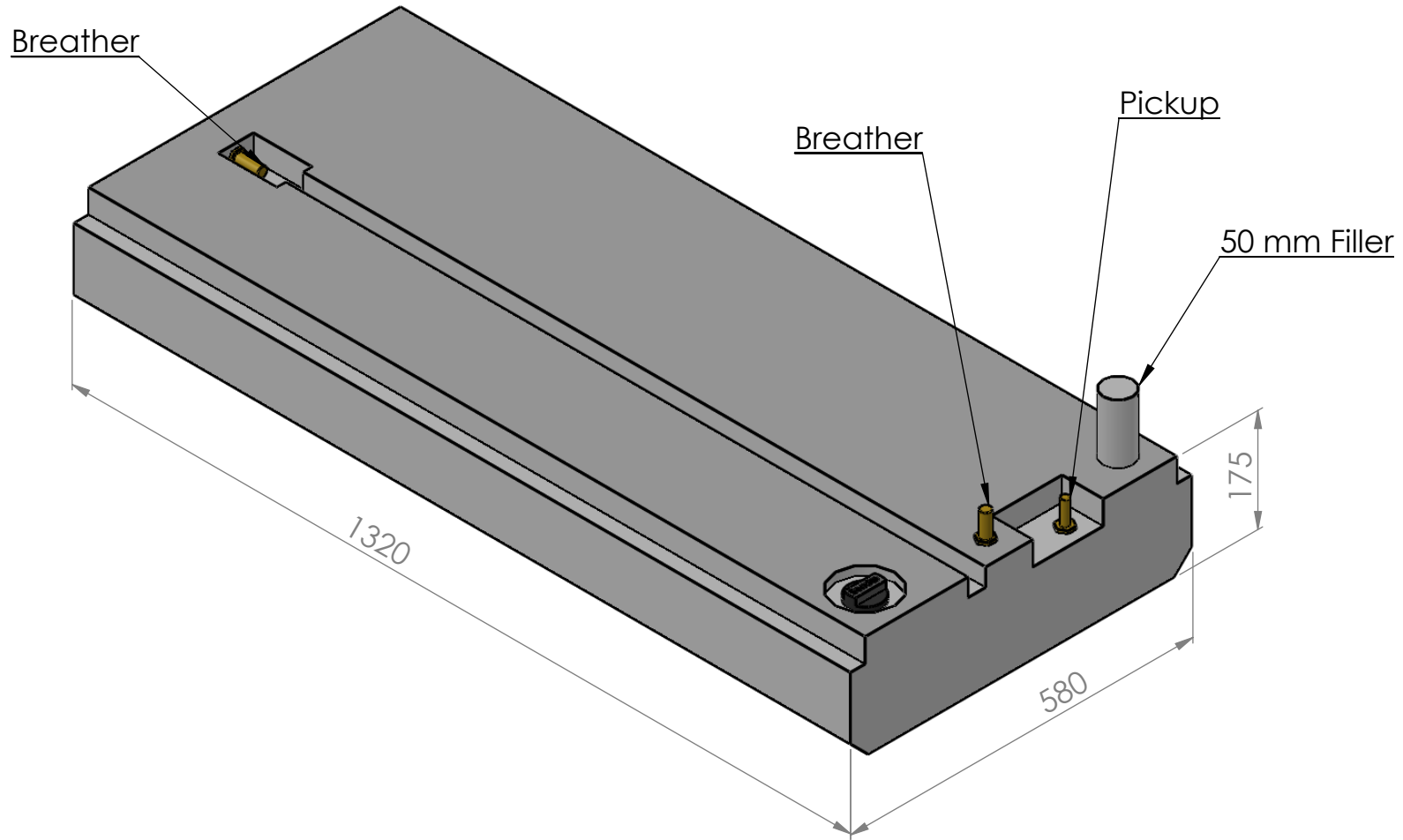


Manufactured by  
GHP Manufacturing  
www.ghpmanufacturing.com.au

**Important Information:**

1. Polyethylene fuel tanks are subject to an expansion of 3% within a month after being filled with fuel.
  2. The dimensions shown above represent the size of the tank after such expansion has occurred. The size of the cavity where tanks are placed should not be less than the given dimensions.
- \* The volume stated is the maximum internal volume and not related to the tanks carrying capacity. Carrying capacity is dependant upon the position and location of the tank/s within the boat, including the angle of the boat in the water and the location of breathers and fittings



www.santmarine.com.au

sales@santmarine.com.au

**Warranty Information**

Please refer to website for warranty information. www.santmarine.com.au  
Tanks are to be fitted by a **qualified** marine mechanic or boat builder

MODEL	11-379	BREATHER	16mm	∅
VOLUME	100 lts	PICKUP	10mm	∅
TYPE	Fuel Tank	SENDER	30-240	⊕